

GARFIELD



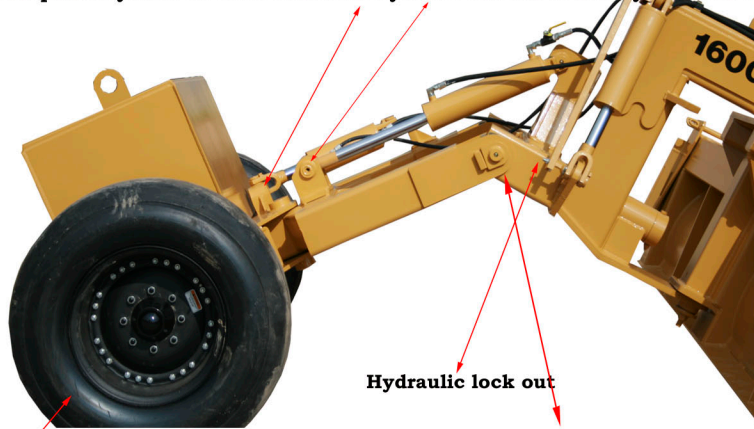
Model 1600RS

Garfield

Earth Moving Equipment

Grader Blade

Direct response system on raise and lower cylinder instead of old style double knuckle system



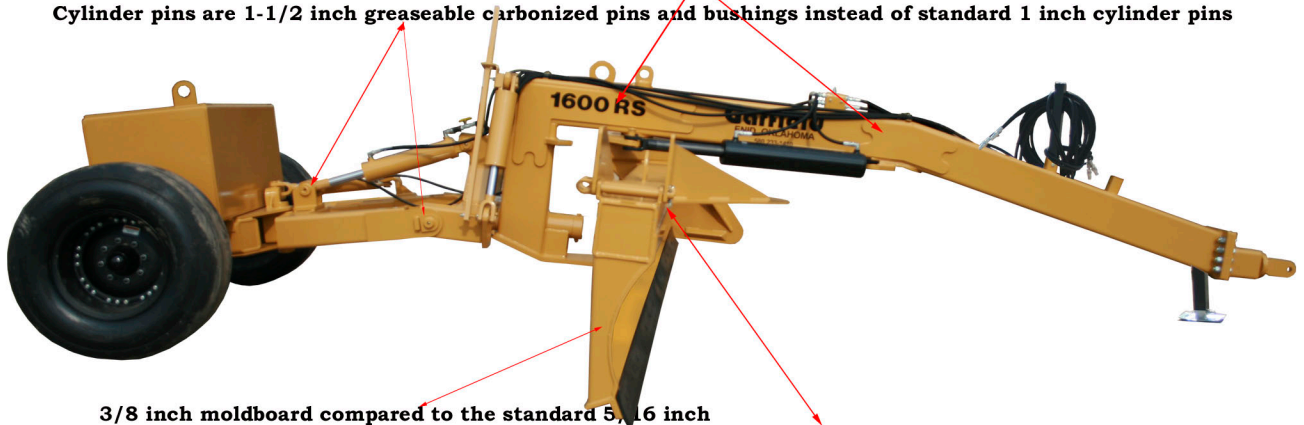
Hydraulic lock out

1-15/16 carbonized pins and bushings at raise and lower pivot points

26 ply tires

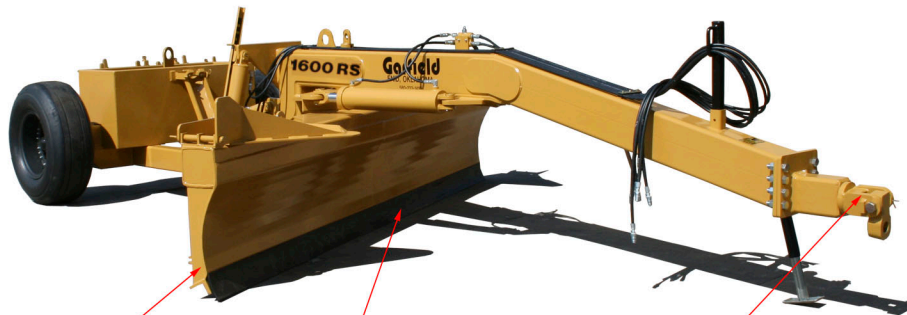
Reinforcement plates are 1/2 inch vs. 3/8 inch

Cylinder pins are 1-1/2 inch greaseable carbonized pins and bushings instead of standard 1 inch cylinder pins



3/8 inch moldboard compared to the standard 5/16 inch

Heavy duty locking bracket for side plates



Formed moldboard that fits the contour of the blade

Height adjustable swivel hitch

Reversible blade

Model	Length	Angle	Height	Tilt	Ground Clearance	Tires	Weight	Length	HP Required
1400	14'	45°	33"	15°	30"	40x14.5x19	5840#	21' 5"	120-400
1600	16'	45°	33"	15°	30"	40x14.5x19	6028#	21' 5"	120-400